

(A13.80/B12.10/C13.40)

SPECIFICATION MODEL: "HB" SERIES

RATING: 20A 125VAC, (UL, CSA)

16A 250VAC, (UL, CSA)

3/4HP 250VAC, (UL, CSA)

16(4)A 250V~T125 (VDE, SEMKO,

DEMKO, NEMKO, FIMKO, SEV, CQC)

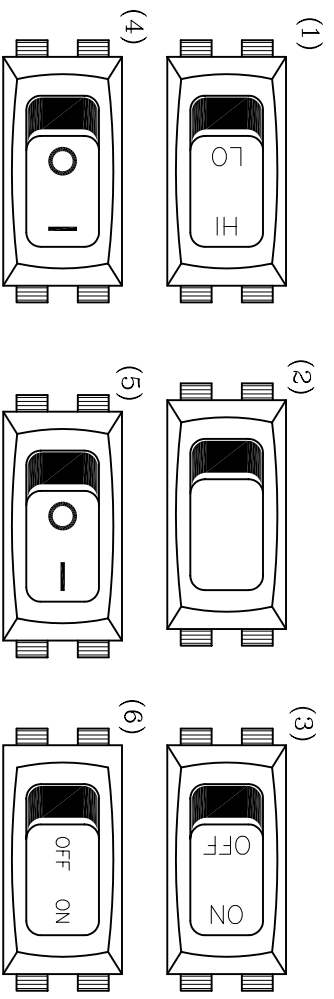
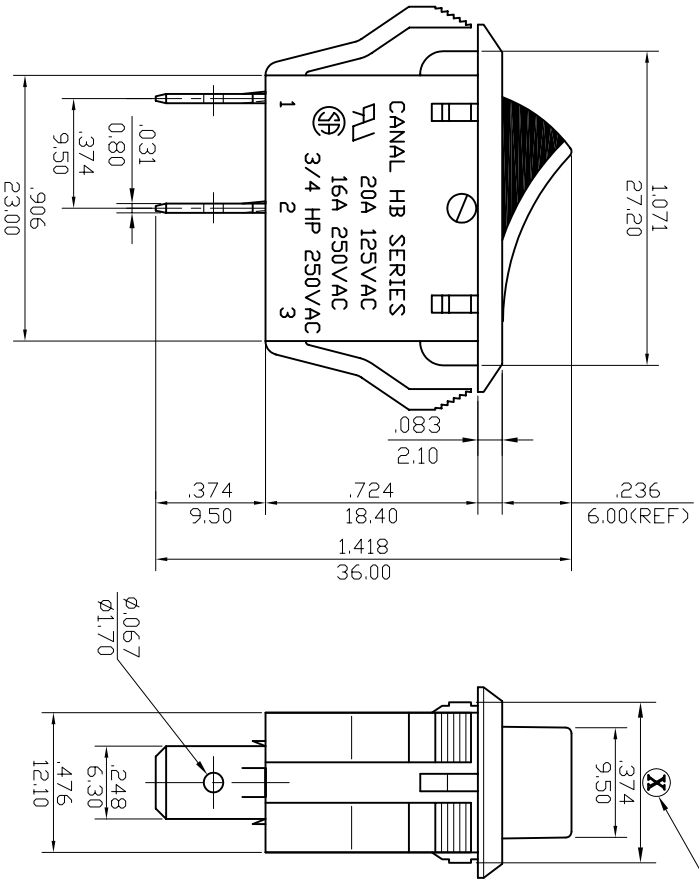
CONTACT RESISTANCE: 20mΩ (MAX),

INSULATION RESISTANCE:

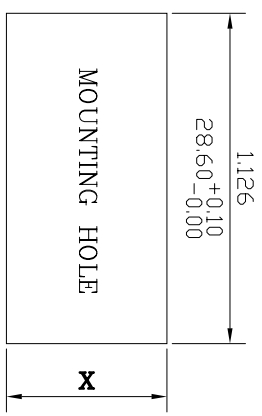
500VDC - 100MΩ (MIN).

WITHSTAND VOLTAGE: 1,000VAC 1 MINUTE.

OPERATION: 500±200 GRAM.



NOTE: TOLERANCES UNLESS OTHERWISE SPECIFIED: ± 0.012 (in/mm)



X=CUTOOUT DIMENSION	A	B	C
	.547 / 13.90 +0.10 -0.00	.480 / 12.20 +0.10 -0.00	.531 / 13.50 +0.10 -0.00

REVISION	DESCRIPTION	REVISED BY	TOLERANCES	XX	ANGLE	SCALE	UNIT	PART NAME	HB SPEC DRAWING	DWG NO		
Δ						2:1	mm					
Δ												
Δ												
Δ	2003.12.25 修正圖框, 重新出圖	楊紹才	CHECKED BY					DATE	2003.12.25	PART NO	HB110-C*N-**R-(A/B/C)	S0057A