

250V 12A 1.5mm²

Poles: Any poles

Pitch: 5.0mm & 7.5mm & 10.0mm

5.08mm & 7.62mm & 10.16mm

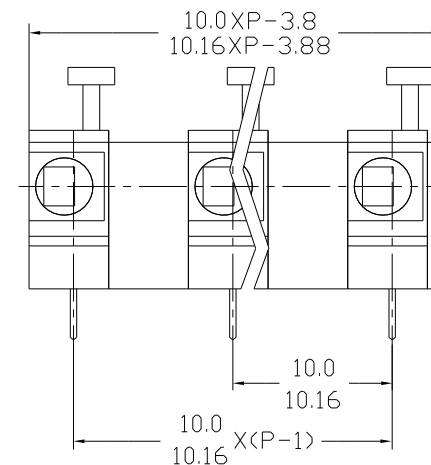
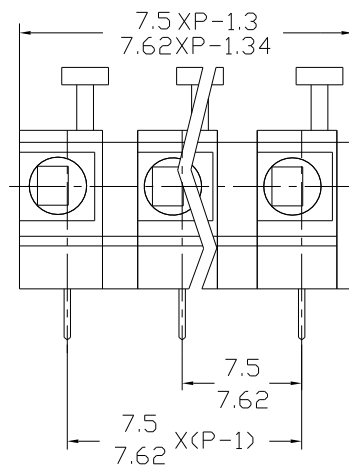
Pin Dimension: 0.4x0.8mm

Materials

Housing: PA66(UL94-0)

Solder Pin: Brass, 0.4t, Tin Plated.

Clamping: Stainless steel



设计/Designed by	绘图/Drawing by	审核/Checked by	批准/Approved by	未注公差 General Tolerance	
				x. ±0.2	x." ±2°
		图名/Title	文件编号/File No.	.x ±0.1	.x" ±1°
		XY124V-A/XY124V-B		.xx ±0.05	.xx" ±0.5°
		产品图	页序/Sheet	.xxx ±0.01	
		备注/Remark		单位/Units: mm	

